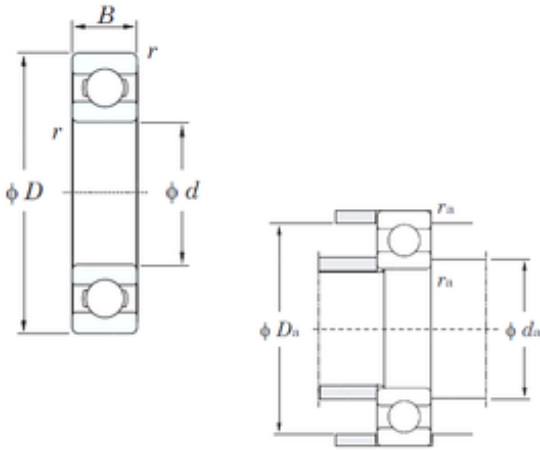




# KSB Bearing Sales Co.,Ltd



6006 Bearing 2D drawings and 3D CAD models

Japan NTN Koyo 6006 Bearing 60uzs417t2X-Sx  
609 2RS 607 Ysx 6010

Bearing No. 6006

Size	30x55x13 mm
Bore Diameter	30 mm
Outer Diameter	55 mm
Width	13 mm
d	30 mm
D	55 mm
B	13 mm
C	13 mm
r min.	1 mm
da min.	35 mm
Da max.	50 mm
ra max.	1 mm
Weight	0,116 Kg
Basic dynamic load rating (C)	13,2 kN
Basic static load rating (C0)	8,25 kN
(Grease) Lubrication Speed	13000 r/min
(Oil) Lubrication Speed	15000 r/min
Category	Single Row Ball Bearings
Inventory	0.0
Manufacturer Name	KOYO
Minimum Buy Quantity	N/A
Weight / Kilogram	0.125
Product Group	B00308
Enclosure	Open
Precision Class	ABEC 1   ISO P0



## KSB Bearing Sales Co.,Ltd

Maximum Capacity / Filling Slot	No
Rolling Element	Ball Bearing
Snap Ring	No
Internal Special Features	No
Cage Material	Steel
Internal Clearance	C0-Medium
Inch - Metric	Metric
Long Description	30MM Bore; 55MM Outside Diameter; 13MM Outer Race Diameter; Open; Ball Bearing; ABEC 1   ISO P0; No Filling Slot; No Snap Ring; No Internal Special Features
Category	Single Row Ball Bearing
UNSPSC	31171504
Harmonized Tariff Code	8482.10.50.68
Noun	Bearing
Keyword String	Ball
Manufacturer URL	<a href="http://www.koyousa.com">http://www.koyousa.com</a>
Manufacturer Item Number	6006
Weight / LBS	0.276
Bore	1.181 Inch   30 Millimeter
Outside Diameter	2.165 Inch   55 Millimeter
Outer Race Width	0.512 Inch   13 Millimeter
Bearing No.	6006
r(min)	1
Cr	16.5
C0r	8.25
Cu	0.530
f0	14.7
Grease lub.	13000
Oil lub.	15000



## KSB Bearing Sales Co.,Ltd

da(min)	35
Da(max)	50
ra(max)	1
(Refer.)Mass(kg)	0.116