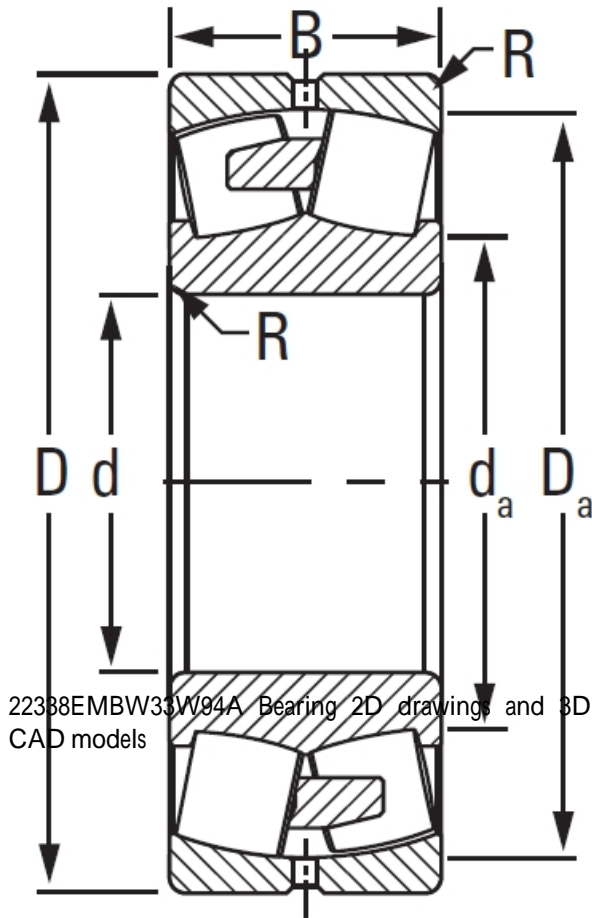




# KSB Bearing Sales Co.,Ltd

## 22338EMBW33W94A TIMKEN Cylindrical Roller Bearings Single Row ISO

Bearing No. 22338EMBW33W94A



22338EMBW33W94A Bearing 2D drawings and 3D CAD models

Design Unit	METRIC
Bearing Weight	80.900 Kg
Cage Type	EMB
UPC Code	087796303614
Cage Material	Brass
Superseded Part	22338YMBW33W94A
d	190.000 mm
D	400.000 mm
B - Inner Ring Width	132 mm
B - Outer Ring Width	132.000 mm
R - Inner Ring To Clear Radius <sup>1</sup>	4.000 mm
r - Outer Ring To Clear Radius <sup>2</sup>	4.000 mm
da - Inner Ring Backing Diameter	245.000 mm
Da - Outer Ring Backing Diameter	361.000 mm
C0 - Static Radial Rating	2830000 N
C1(2) - Dynamic Radial Rating (Two-Rows)	2380000 N
e - ISO Factor <sup>3</sup>	0.32
Y0 - ISO Factor <sup>4</sup>	2.12
Y1 - ISO Factor <sup>5</sup>	3.15
Y2 - ISO Factor <sup>6</sup>	2.07
Reference Thermal Speed Rating (Grease)	1100



## KSB Bearing Sales Co.,Ltd

Reference Thermal Speed Rating (Oil) <sup>7</sup>	1200
Cg - Geometry Factor <sup>8</sup>	0.1021