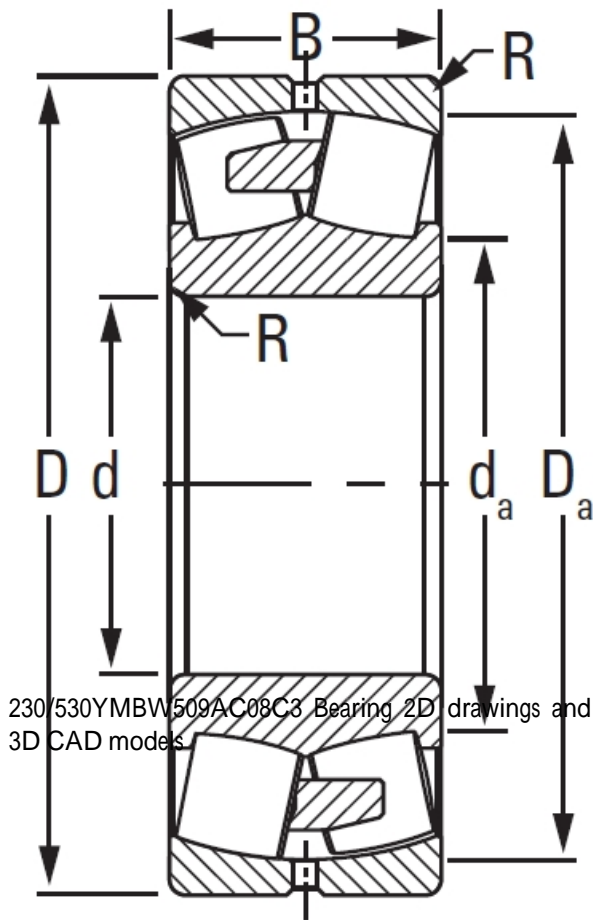




# KSB Bearing Sales Co.,Ltd

## 230/530YMBW509AC08C3 TIMKEN Full Complement Cylindrical Roller Radial Bearings

Bearing No. 230/530YMBW509AC08C3



230/530YMBW509AC08C3 Bearing 2D drawings and 3D CAD models

Design Unit	METRIC
Bearing Weight	302.600 Kg
Cage Type	YMB
Cage Material	Brass
d	530.000 mm
D	780.000 mm
B - Inner Ring Width	185 mm
B - Outer Ring Width	185.000 mm
R - Inner Ring To Clear Radius <sup>1</sup>	5.000 mm
r - Outer Ring To Clear Radius <sup>2</sup>	5.000 mm
da - Inner Ring Backing Diameter	588.000 mm
Da - Outer Ring Backing Diameter	725.000 mm
C0 - Static Radial Rating	9720000 N
C1(2) - Dynamic Radial Rating (Two-Rows)	5150000 N
e - ISO Factor <sup>3</sup>	0.21
Y0 - ISO Factor <sup>4</sup>	3.14
Y1 - ISO Factor <sup>5</sup>	4.68
Y2 - ISO Factor <sup>6</sup>	3.07
Reference Thermal Speed Rating (Grease)	460
Reference Thermal Speed Rating (Oil) <sup>7</sup>	530
Cg - Geometry Factor <sup>8</sup>	0.1083



# **KSB Bearing Sales Co.,Ltd**