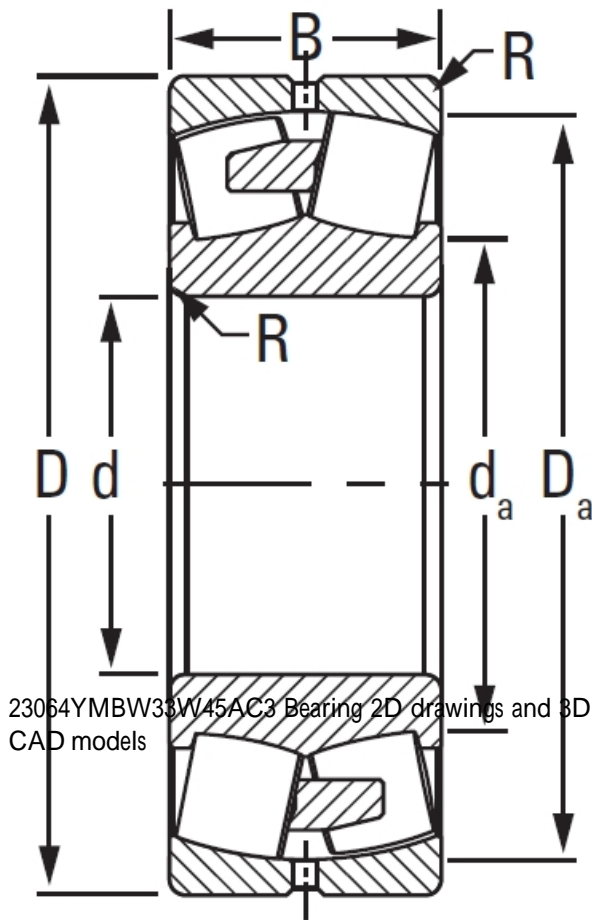




KSB Bearing Sales Co.,Ltd

23064YMBW33W45AC3 TIMKEN Cylindrical Roller Bearings Two-Row

Bearing No. 23064YMBW33W45AC3



23064YMBW33W45AC3 Bearing 2D drawings and 3D CAD models

Design Unit	METRIC
Bearing Weight	77.4 Kg
Cage Type	YMB
UPC Code	087796360143
Cage Material	Brass
d	320.000 mm
D	480.000 mm
B - Inner Ring Width	121 mm
B - Outer Ring Width	121.000 mm
R - Inner Ring To Clear Radius ¹	3.0 mm
r - Outer Ring To Clear Radius ²	3.0 mm
da - Inner Ring Backing Diameter	355.000 mm
Da - Outer Ring Backing Diameter	444.000 mm
C0 - Static Radial Rating	3880000 N
C1(2) - Dynamic Radial Rating (Two-Rows)	2410000 N
e - ISO Factor ³	0.23
Y0 - ISO Factor ⁴	2.93
Y1 - ISO Factor ⁵	4.36
Y2 - ISO Factor ⁶	2.86
Reference Thermal Speed Rating (Grease)	880
Reference Thermal Speed Rating (Oil) ⁷	1000



KSB Bearing Sales Co.,Ltd

Cg - Geometry Factor ⁸	0.1278
-----------------------------------	--------