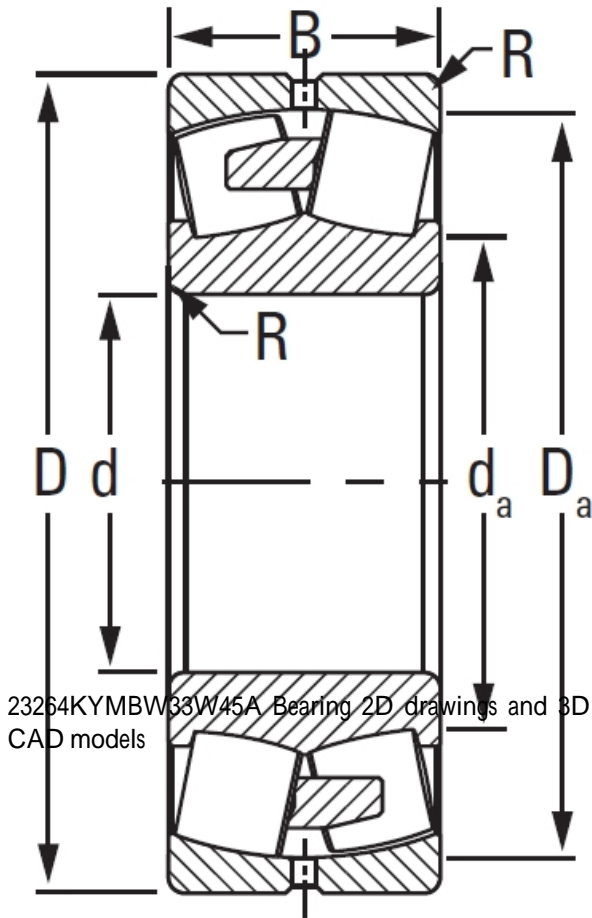




KSB Bearing Sales Co.,Ltd

23264KYMBW33W45A TIMKEN Cylindrical Roller Bearings Two-Row

Bearing No. 23264KYMBW33W45A



23264KYMBW33W45A Bearing 2D drawings and 3D CAD models

Design Unit	METRIC
Bore Taper	1/12
Bearing Weight	245.100 Kg
Cage Type	YMB
UPC Code	087796360297
Cage Material	Brass
d	320.000 mm
D	580.000 mm
B - Inner Ring Width	208 mm
B - Outer Ring Width	208.000 mm
R - Inner Ring To Clear Radius ¹	4.000 mm
r - Outer Ring To Clear Radius ²	4.000 mm
da - Inner Ring Backing Diameter	377.000 mm
Da - Outer Ring Backing Diameter	516.000 mm
C0 - Static Radial Rating	7090000 N
C1(2) - Dynamic Radial Rating (Two-Rows)	4770000 N
e - ISO Factor ³	0.34
Y0 - ISO Factor ⁴	1.98
Y1 - ISO Factor ⁵	2.94
Y2 - ISO Factor ⁶	1.93
Reference Thermal Speed Rating (Grease)	490



KSB Bearing Sales Co.,Ltd

Reference Thermal Speed Rating (Oil) ⁷	530
Cg - Geometry Factor ⁸	0.1354